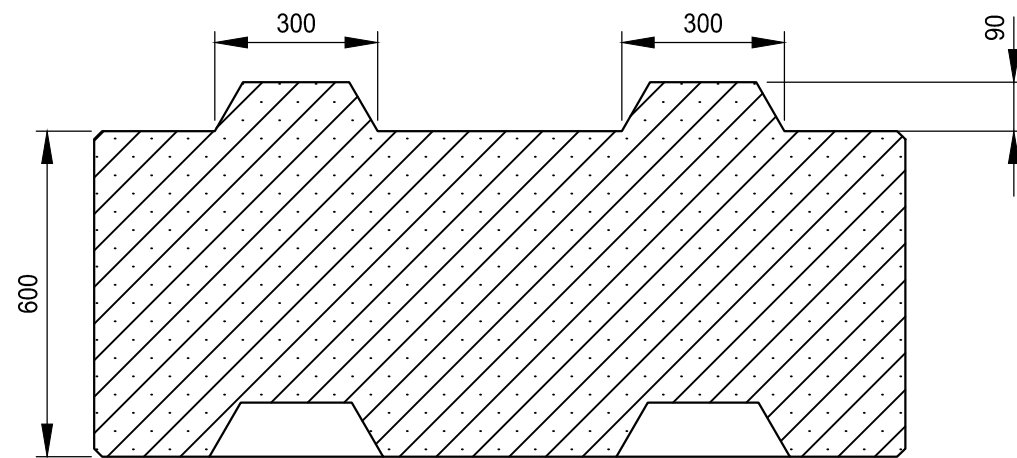
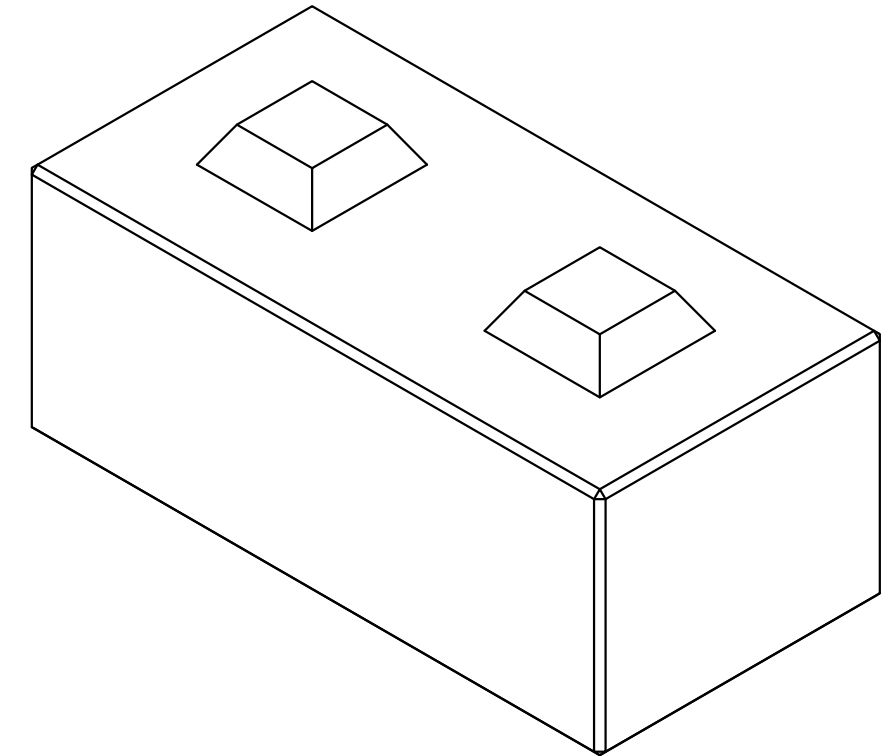


SECTION B-B



SECTION A-A

VOLUME:
WEIGHT: 1580kg

PROJECT:
KING BLOCK

TITLE:
28504-LB-con

DRAWN:

CHECKED:
T. Lynam



O'REILLY
—concrete—

O' REILLY OAKSTOWN ENVIRONMENTAL LTD.
BAF - WASTEWATER TREATMENT SYSTEMS

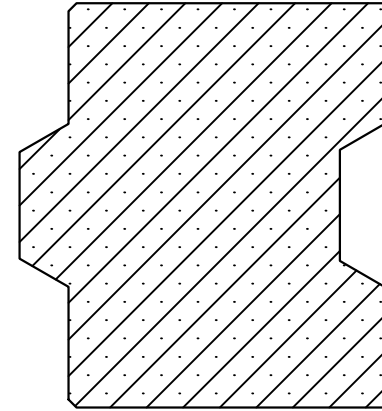
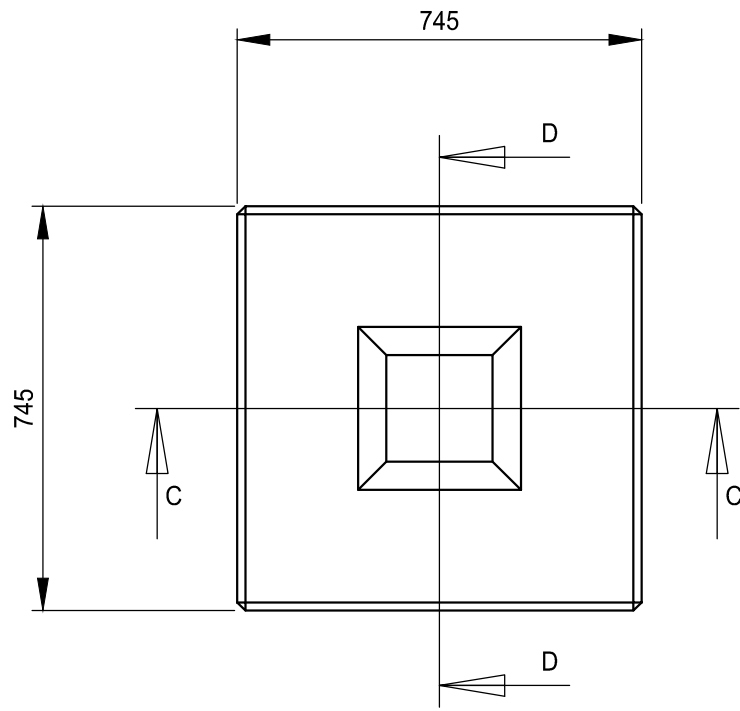


O'REILLY OAKSTOWN

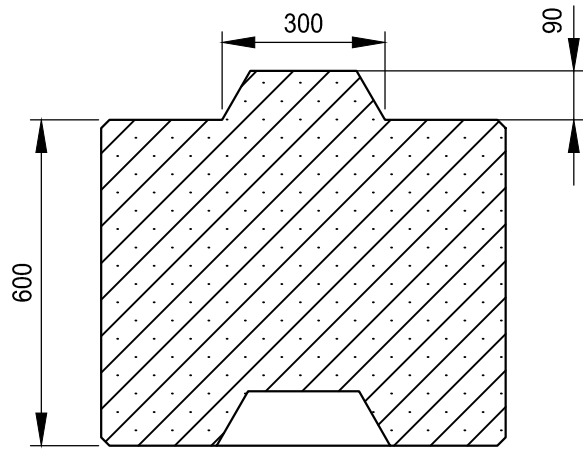
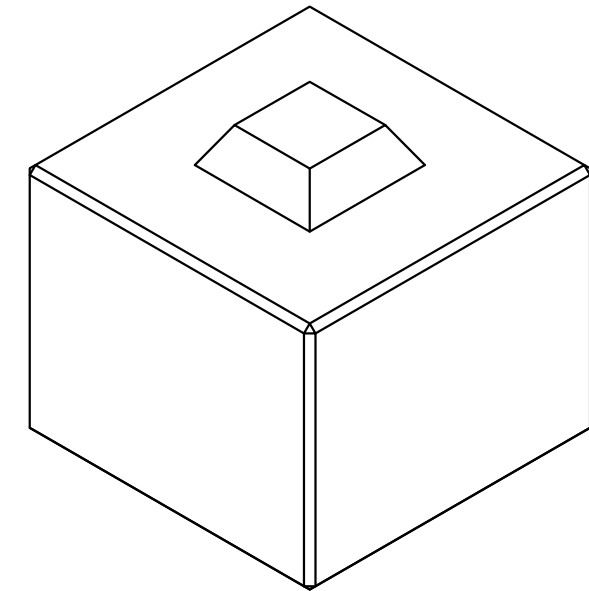
TRIM, Co.MEATH
Email: info@oreillyoakstown.com
Tel:(046)9431389 Fax:(046)9437054



SCALE:	DWG NO:	REV:	DATE:
N.T.S.	OAKS - K1	1	11.11.16



SECTION D-D



SECTION C-C

VOLUME:
WEIGHT: 780kg

PROJECT:
KING BLOCK - 1/2 BLOCK

TITLE:
28504-LB-con

DRAWN:
CHECKED:
T. Lynam



O' REILLY OAKSTOWN ENVIRONMENTAL LTD.
BAF - WASTEWATER TREATMENT SYSTEMS

		O'REILLY OAKSTOWN TRIM, Co.MEATH Email: info@oreillyoakstown.com Tel:(046)9431389 Fax:(046)9437054	
SCALE:	DWG NO:	REV:	DATE:
N.T.S.	OAKS - K2	1	11.11.16