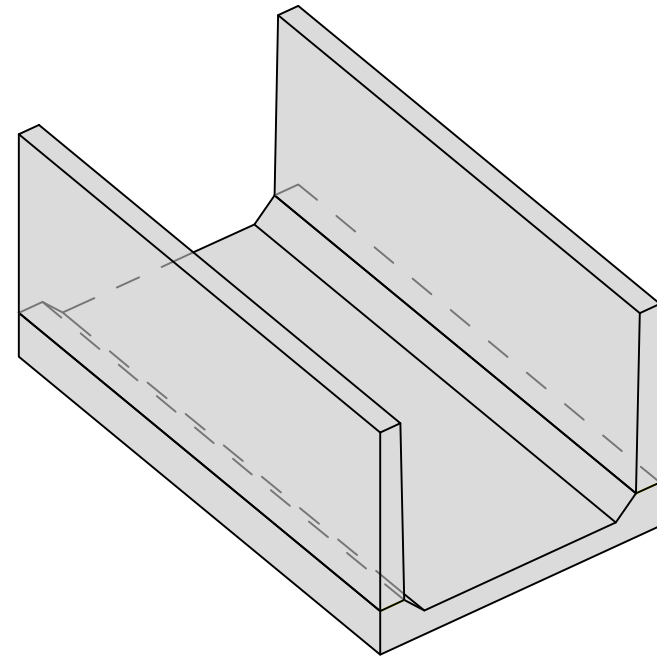
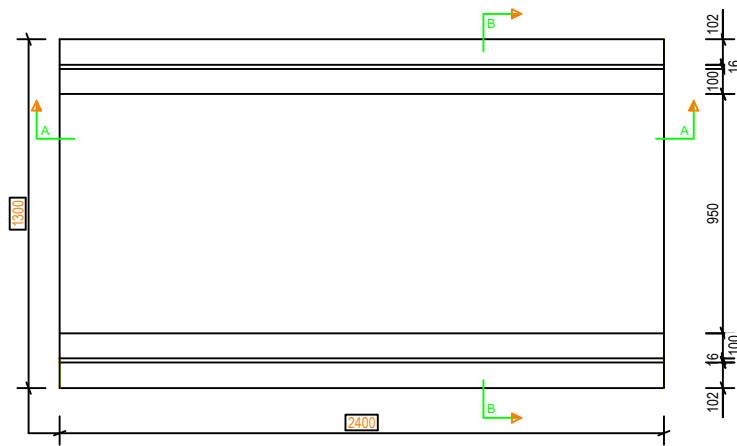


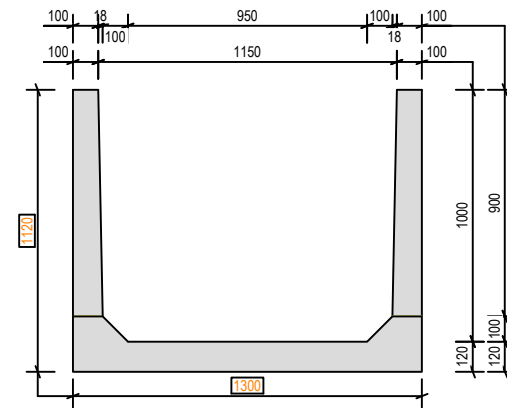
A-A



3D



Plan



B-B

**NOTE:**  
All Dimensions are in mm

<b>DIMENSIONS:</b>  LENGTH: 2400 WIDTH: 1150 HEIGHT: 1000	PROJECT:  TITLE: CABLE TROUGH		 O'REILLY —concrete—	O'REILLY OAKSTOWN ENVIRONMENTAL LTD. BAF - WASTEWATER TREATMENT SYSTEMS	 O'REILLY OAKSTOWN TRIM, CO. MEATH Email: info@oreillyoakstown.com Tel: (046) 9431389 Fax: (046) 9437054		SCALE:	DWG No:	REV:	DATE:
	N.t.s.	OAKS CT 12					01	09.12.2021		