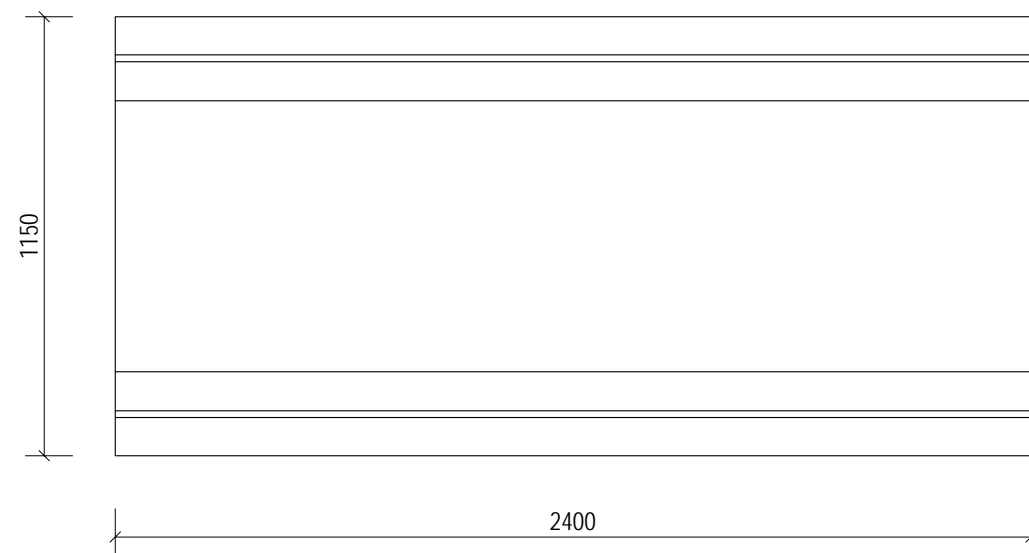
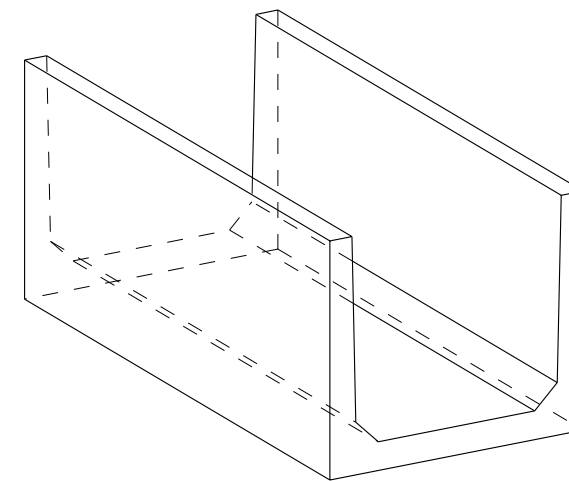
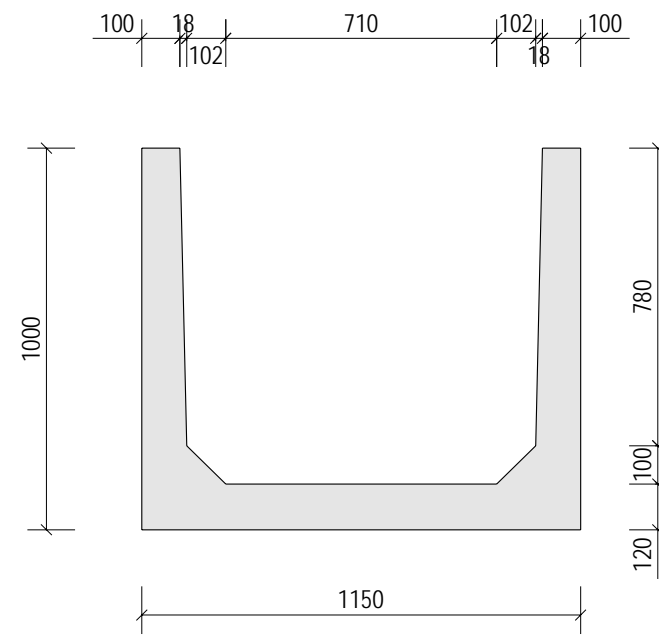


FRONT



TOP



A - A

REV No	REV MARK	REVISION DESCRIPTION	REVISION DATE
OBJECT:			O'REILLY CONCRETE Kingscourt, Co. Cavan Tel: 042 966 7237 Fax: 042 966 8266 email: richard.kowal@oreillyconcrete.com www.oreillyconcrete.com
CONTRACTOR:			
DRAWING TITLE		Standard Channel	
PROJECT		PRECAST CHANNEL	
DRAWN BY	RK	ISSUE DATE	06.02.2012
PROJECT No	0000	SCALE	1:15 1:25
DRAWING No	C [CB.2 -	REVISION No.	